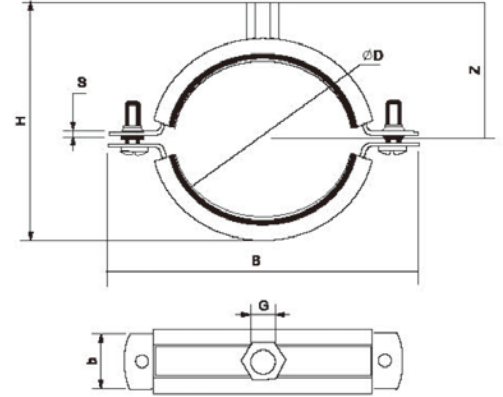
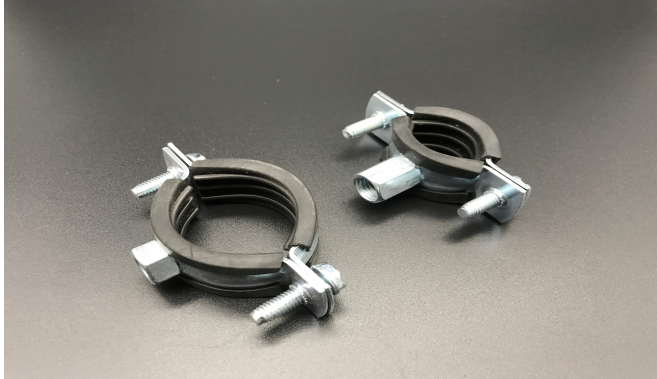


## Pipe Clamp With EPDM



Ordering Code	Size	Φ D mm	bx a mm	NUT			Bolt	Rubber Size mm	Product Size mm			Crippling Load
				G	SW	H			B	H	Z	
KKPC012	1/4"	12-14	20X1.5	M8	13	12	M6X20	20X4.5	59	29	24	1200
KKPC015	3/8"	15-19	20X1.5	M8	13	12	M6X20	20X4.5	64	32	26	1200
KKPC021	1/2"	21-23	20X1.5	M8	13	12	M6X20	20X4.5	68	38	29	1200
KKPC026	3/4"	26-28	20X1.5	M8	13	12	M6X20	20X4.5	73	43	31	1200
KKPC032	1"	32-35	20X1.5	M8	13	12	M6X20	20X4.5	80	49	34	1200
KKPC040	1-1/4"	40-43	20X1.5	M8	13	12	M6X20	20X4.5	88	57	38	1200
KKPC044	1-1/2"	44-49	20X2.0	M8	13	12	M6X20	20X4.5	98	62	41	1200
KKPC050		50-56	20X2.0	M8/M10	13	17	M6X25	20X4.5	105	73	49	1500
KKPC057	2"	57-61	20X2.0	M8/M10	13	17	M6X25	20X4.5	110	80	52	1500
KKPC063		63-67	20X2.0	M8/M10	13	17	M6X25	20X4.5	116	86	55	1500
KKPC070		70-73	20X2.0	M8/M10	13	17	M6X25	20X7.5	122	93	59	1500
KKPC074	2-1/2"	74-80	20X2.0	M8/M10	13	17	M6X25	20X7.5	135	97	64	1500
KKPC083	3"	83-91	20X2.0	M8/M10	13	17	M6X25	20X7.5	146	106	68	1500
KKPC101		101-106	23X2.5	M8/M10	13	17	M6X25	23X7.5	165	126	78	2100
KKPC108	4"	108-114	23X2.5	M8/M10	17	18	M6X25	23X7.5	173	133	81	2500
KKPC125		125	23X2.5	M8/M10	17	18	M6X25	23X7.5	184	150	90	2500
KKPC131		131-135	23X2.5	M10	17	10	M6X25	23X7.5	194	154	91	2500
KKPC136		136-139	23X2.5	M10	17	10	M6X25	23X7.5	198	159	93	2500
KKPC140	5"	140-144	23X2.5	M10	17	10	M6X25	23X7.5	203	163	95	2500
KKPC159		159-163	23X2.5	M10	17	10	M6X25	23X7.5	222	182	105	2500
KKPC165	6"	165-169	23X2.5	M10	17	10	M8X30	23X7.5	228	188	108	2500
KKPC193		193-200	25X3.0	M10	17	10	M8X30	25X7.5	263	217	122	2800
KKPC210		210-212	25X3.0	M10	17	10	M8X30	25X7.5	275	234	131	2800
KKPC216	8"	216-220	25X3.0	M10	17	10	M8X30	25X7.5	283	240	134	2800
KKPC225		225	25X3.0	M10	17	10	M8X30	30X7.5	288	249	138	2800
KKPC250		250	25X3.0	M10	17	10	M8X30	30X7.5	313	274	151	2800
KKPC274	10"	274	25X3.0	M10	17	10	M8X30	30X7.5	337	298	163	2800
KKPC315		315	25X3.0	M10	17	10	M8X30	30X7.5	378	339	183	2800