

KOKA

Cable Support Systems



CABLE SUPPORT SYSTEMS

CABLE SUPPORT SYSTEMS

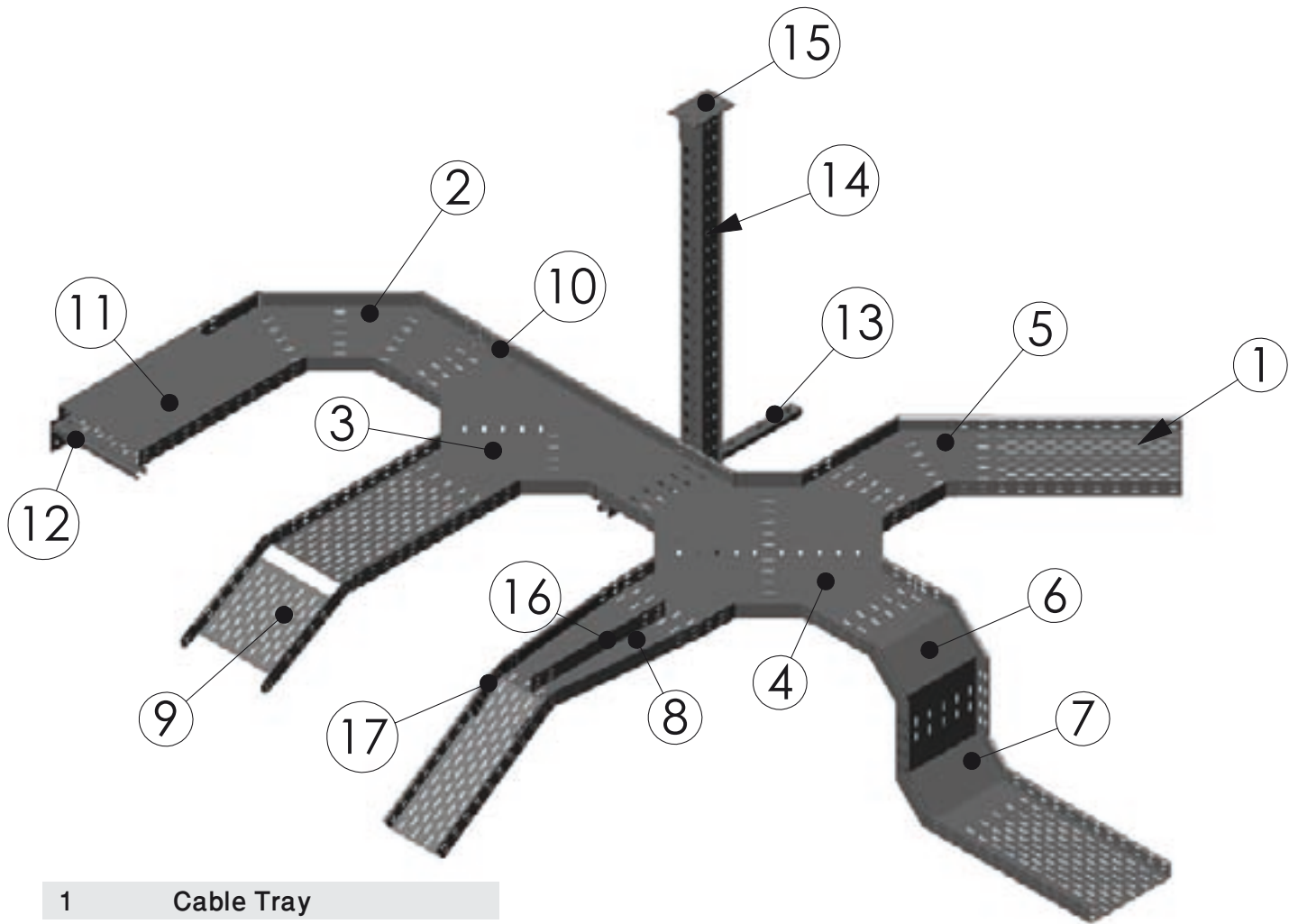
CABLE TRAYS :: CABLE LADDERS :: ACCESSORIES :: STRUT FRAMING SYSTEMS
WIRE MESH CABLE TRAY :: CABLE TRUNKING :: CUSHION CLAMPS::PIPE CLAMPS.

KoKa CABLE SUPPORT SYSTEMS

*KoKa Cable Support Systems is a chinese manufacture
With over 30 years of engineering experience*

1. We supply a large variety of Cable Trays and Cable Ladders with their accessories encompassing a large spectrum of needs and design.
 - 1.1. Working Load: Size (Width, Loading depth and Strength).
 - 1.2. Installation Environment: Material and Finish.
 - 1.3. Support Span: Strength and Length.
2. We are willing to accommodate other client's requirements not offered in our standard production, on a case by case basis.
3. We are geared for large size projects, for complete cable routing systems in terms of quality, speedy on time delivery and best value.
4. koka Cable Support Systems conform to all NEMA VE-1 standards referring to definitions of cable trays, fittings, connectors and accessories.

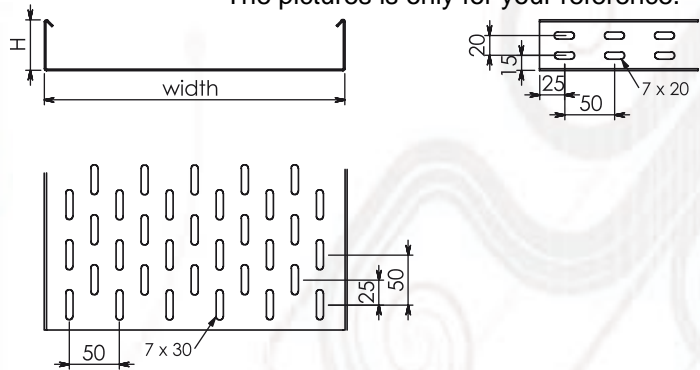
CABLE TRAY SYSTEM



1	Cable Tray
2	90° Bend
3	Tee
4	Cross-over
5	45° Bend
6	External Riser
7	Internal Riser
8	Reducer
9	Adjustable Vertical Riser
10	Straight Connector
11	Cover
12	Wall Support
13	Bracket Support
14	C - Support
15	Head Plate
16	Barrier Strip
17	Angle Connector

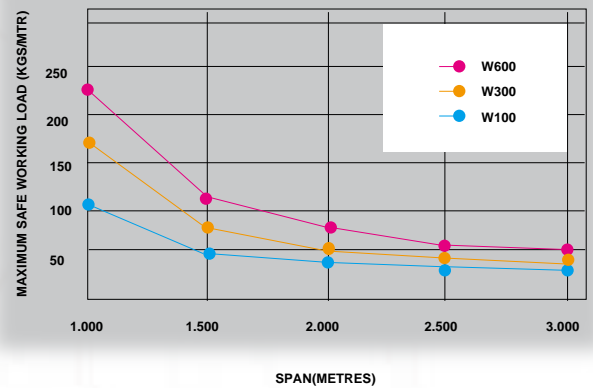
Cable Tray Light (Medium Duty)

Attention: 12/25mm height of the perforated cable tray
 1, There is no slots on the both sides
 2, It is by bottom link
 3, The slots is based on our current standard.
 The pictures is only for your reference.

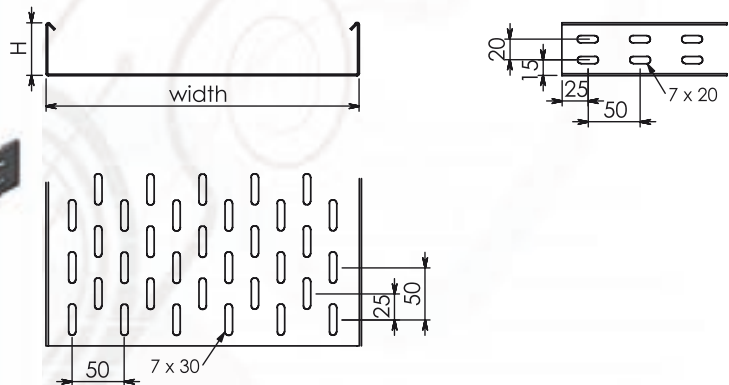


Reference	Width mm	Length mm	Height mm	Thickness mm
CT-L-100	100	3000	12/25	1
CT-L-150	150	3000	12/25	1
CT-L-225	225	3000	12/25	1.2
CT-L-300	300	3000	12/25	1.2
CT-L-400	400	3000	12/25	1.5
CT-L-600	600	3000	12/25	1.5
CT-L-800	800	3000	12/25	1.5

MDT25

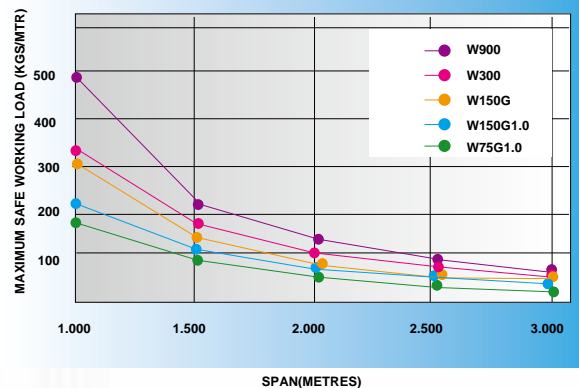


Cable Tray Heavy



Reference	Width mm	Length mm	Height mm	Thickness mm
CT-H-100	100	3000	50	1.2
CT-H-150	150	3000	50	1.2
CT-H-225	225	3000	50	1.2
CT-H-300	300	3000	50	1.2
CT-H-400	400	3000	50	1.5
CT-H-600	600	3000	50	1.5
CT-H-800	800	3000	50	2

HDT50

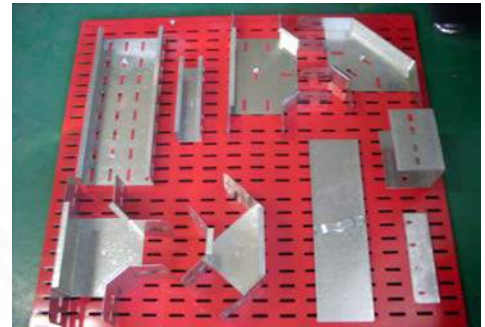


Cover for Cable Tray

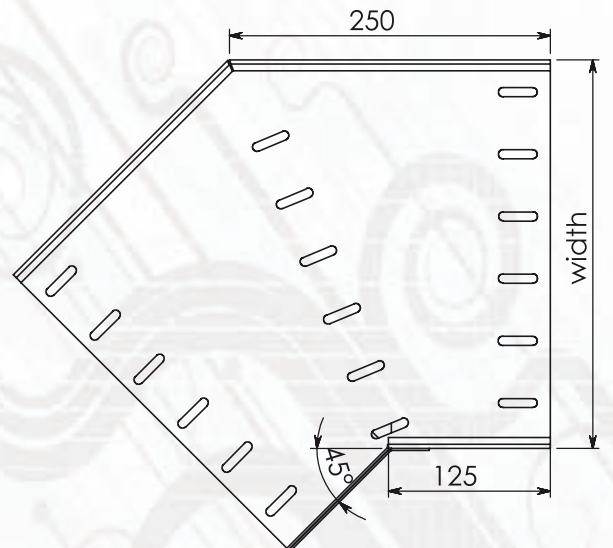
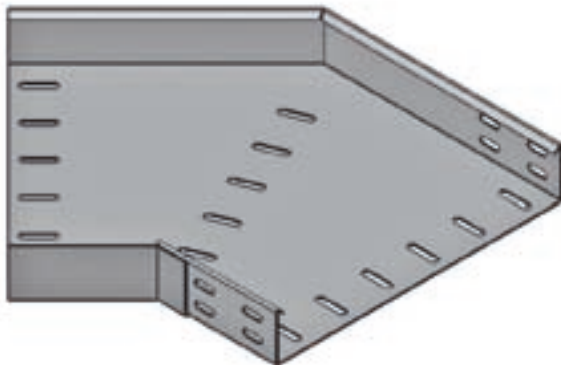


- Attention: 12/25mm height of the perforated cable tray
- 1, There is no slots on the both sides.
 - 2, It is by bottom link.
 - 3, Tees and bends is based on our current standard, the pictures is only for your reference.

Reference	Width mm	Length mm	Thickness mm
CCT-100	100	3000	1.0
CCT-150	150	3000	1.0
CCT-225	225	3000	1.0
CCT-300	300	3000	1.0
CCT-400	400	3000	1.0
CCT-600	600	3000	1.0
CCT-800	800	3000	1.0

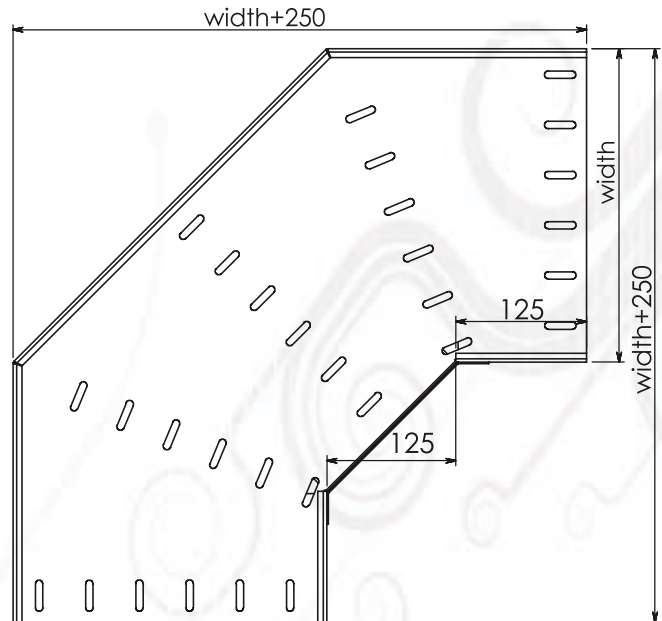
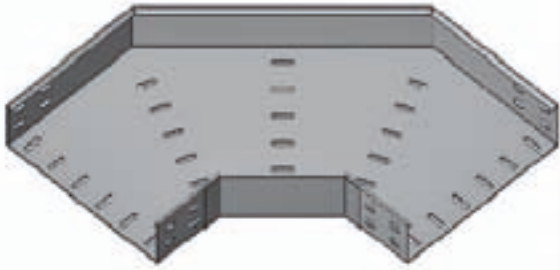


45° Bends



Reference	Width mm	Height mm	Thickness mm
EH45-100	100	25/50	1.2
EH45-150	150	25/50	1.2
EH45-225	225	25/50	1.2
EH45-300	300	25/50	1.2
EH45-400	400	25/50	1.5
EH45-600	600	25/50	1.5
EH45-800	800	25/50	2

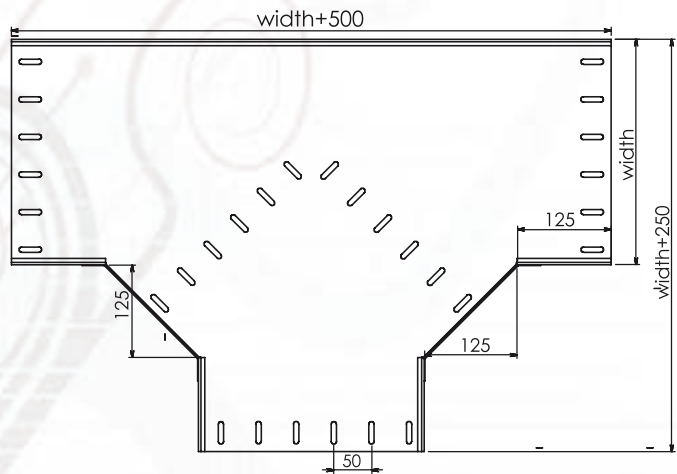
90° Bends



Reference	Width mm	Length mm	Thickness mm
EH90-100	100	25/50	1.2
EH90-150	150	25/50	1.2
EH90-225	225	25/50	1.2
EH90-300	300	25/50	1.2
EH90-400	400	25/50	1.5
EH90-600	600	25/50	1.5
EH90-800	800	25/50	2

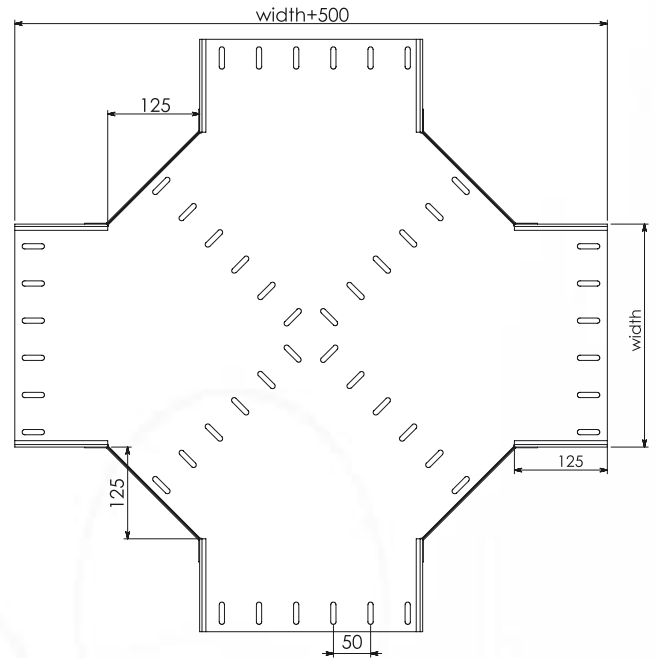
- Attention: 12/25mm height of the perforated cable tray
- 1, There is no slots on the both sides.
 - 2, It is by bottom link.
 - 3, Tees and bends is based on our current standard, the pictures is only for your reference.

Tee Horizontal



Reference	Width mm	Height mm	Thickness mm
TH-100	100	25/50	1.2
TH-150	150	25/50	1.2
TH-225	225	25/50	1.2
TH-300	300	25/50	1.2
TH-400	400	25/50	1.5
TH-600	600	25/50	1.5
TH-800	800	25/50	2

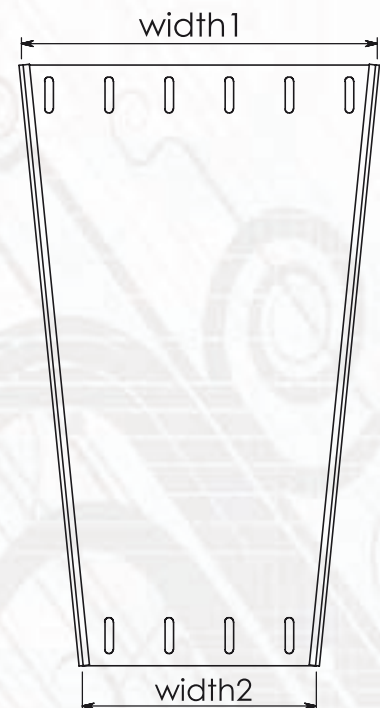
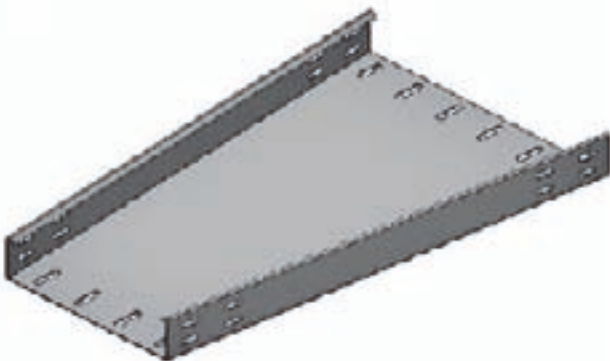
Cross Horizontal



Reference	Width mm	Length mm	Thickness mm
CH-100	100	25/50	1.2
CH-150	150	25/50	1.2
CH-225	225	25/50	1.2
CH-300	300	25/50	1.2
CH-400	400	25/50	1.5
CH-600	600	25/50	1.5
CH-800	800	25/50	2

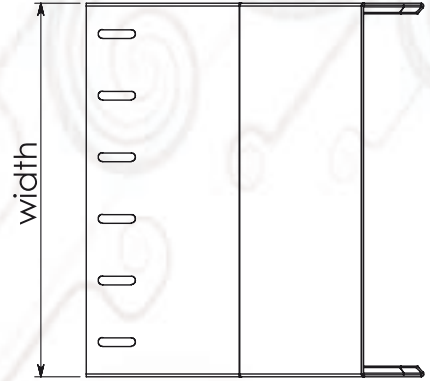
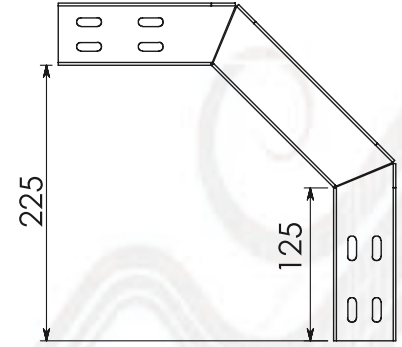
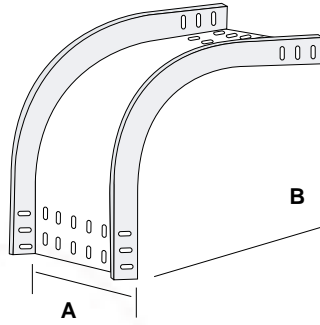
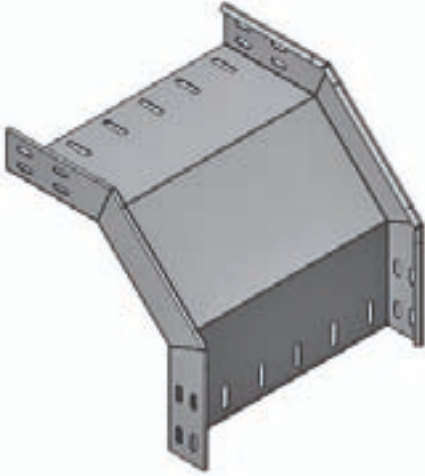
- Attention: 12/25mm height of the perforated cable tray
- 1, There is no slots on the both sides.
 - 2, It is by bottom link.
 - 3, Tees and bends is based on our current standard, the pictures is only for your reference.

Reducer (Straight, left, right)



Reference	Width mm		Height mm	Thickness mm
	Width 1	Width 2		
R-XY	100	100	25/50	1.2
R-XY	150	150	25/50	1.2
R-XY	225	225	25/50	1.2
R-XY	300	300	25/50	1.2
R-XY	400	400	25/50	1.5
R-XY	600	600	25/50	1.5

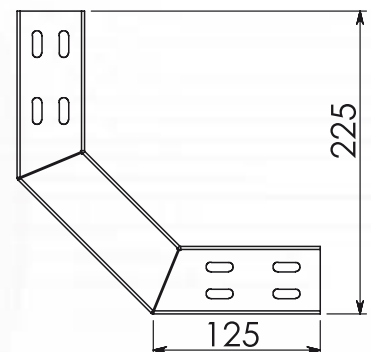
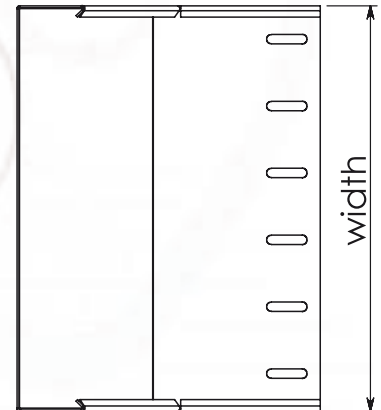
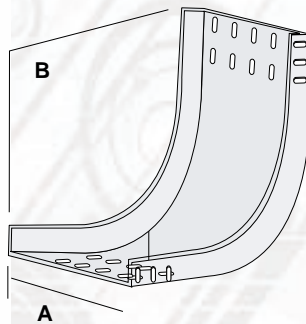
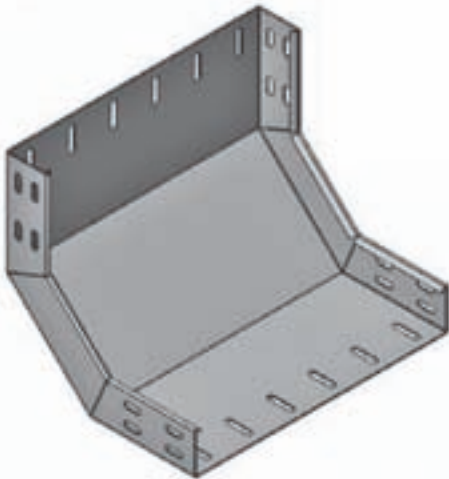
External Riser



Reference	Width mm	Length mm	Thickness mm
ER-100	100	25/50	1.2
ER-150	150	25/50	1.2
ER-225	225	25/50	1.2
ER-300	300	25/50	1.2
ER-400	400	25/50	1.5
ER-600	600	25/50	1.5
ER-800	800	25/50	2

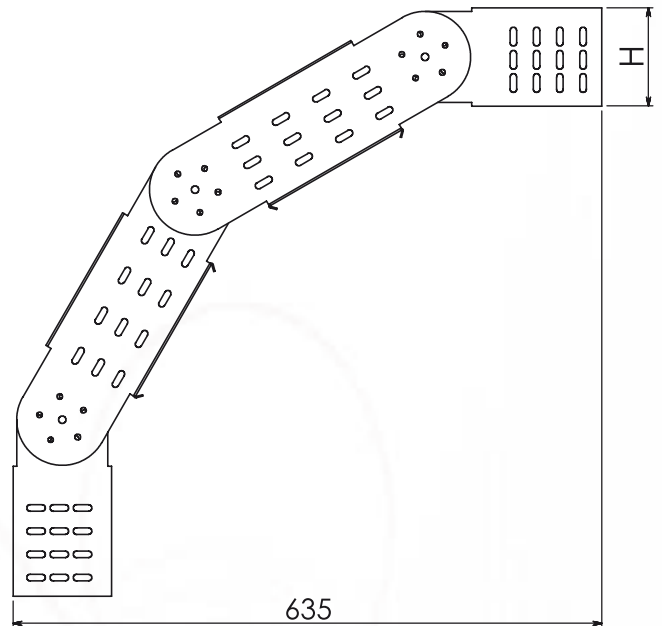
Attention: 12/25mm height of the perforated cable tray
 1, There is no slots on the both sides.
 2, It is by bottom link.
 3, Tees and bends is based on our current standard, the pictures is only for your reference.

Internal Riser



Reference	Width mm	Length mm	Thickness mm
IR-100	100	25/50	1.2
IR-150	150	25/50	1.2
IR-225	225	25/50	1.2
IR-300	300	25/50	1.2
IR-400	400	25/50	1.5
IR-600	600	25/50	1.5
IR-800	800	25/50	2

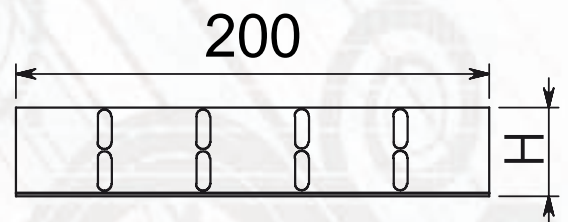
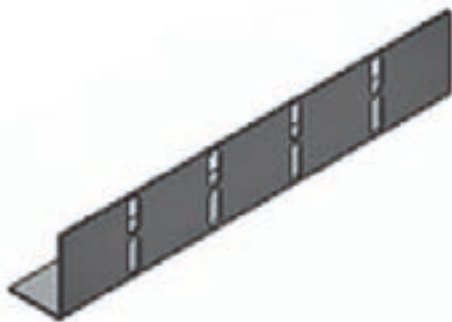
90° - Adjustable Vertical Riser



Reference	Width mm	Length mm	Thickness mm
AVR-100	100	25/50	1.2
AVR-150	150	25/50	1.2
AVR-225	225	25/50	1.2
AVR-300	300	25/50	1.2
AVR-400	400	25/50	1.5
AVR-600	600	25/50	1.5
AVR-800	800	25/50	2

Attention: 12/25mm height of the perforated cable tray
 1, There is no slots on the both sides.
 2, It is by bottom link.
 3, Tees and bends is based on our current standard, the pictures is only for your reference.

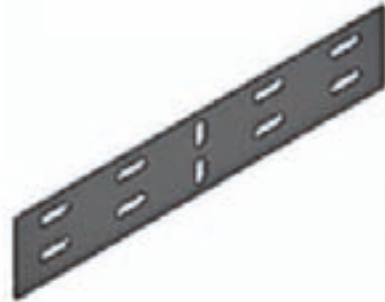
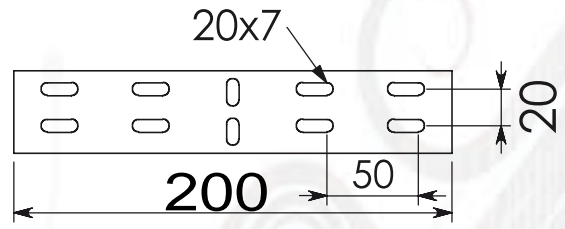
Straight Connector



Reference	Width mm	Thickness mm
SC-100	25/50	1.2
SC-150	25/50	1.2
SC-225	25/50	1.2
SC-300	25/50	1.2
SC-400	25/50	1.5
SC-600	25/50	1.5
SC-800	25/50	2

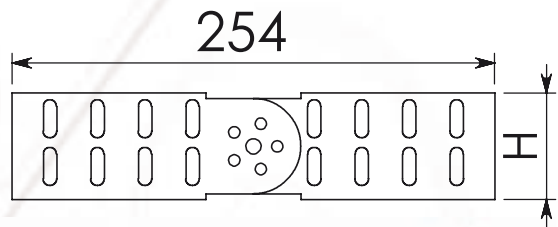
Angle Connector

Reference	Width mm	Thickness mm
AC-100	25/50	1.2
AC-150	25/50	1.2
AC-225	25/50	1.2
AC-300	25/50	1.2
AC-400	25/50	1.5
AC-600	25/50	1.5
AC-800	25/50	2



Adjustable Connector

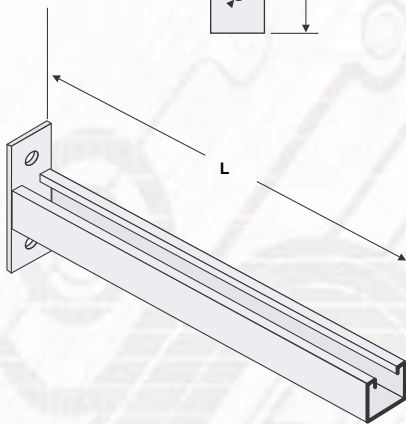
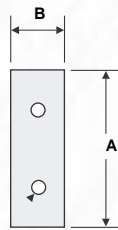
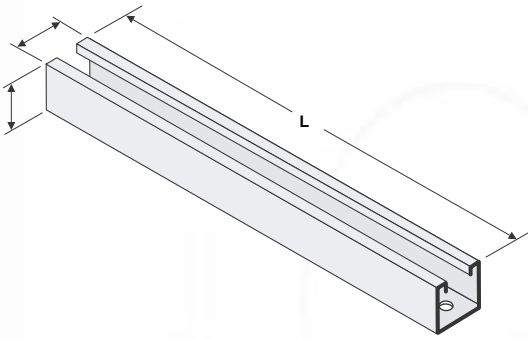
Reference	Width mm	Thickness mm
ADC-100	25/50	1.2
ADC-150	25/50	1.2
ADC-225	25/50	1.2
ADC-300	25/50	1.2
ADC-400	25/50	1.5
ADC-600	25/50	1.5
ADC-800	25/50	2



Barrier Strip (Divider)

Reference	Width mm	Thickness mm
BS-100	25/50	1.2
BS-150	25/50	1.2
BS-225	25/50	1.2
BS-300	25/50	1.2
BS-400	25/50	1.5
BS-600	25/50	1.5
BS-800	25/50	2





HANGER CHANNEL

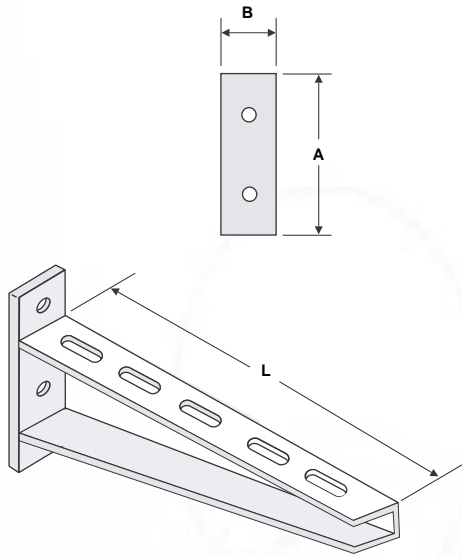
Part No.	A	B	Thickness
KK075HC	41mm	41mm	100mm
KK100HC	41mm	41mm	150mm
KK150HC	41mm	41mm	200mm
KK225HC	41mm	41mm	275mm
KK300HC	41mm	41mm	350mm
KK450HC	41mm	41mm	500mm
KK600HC	41mm	41mm	650mm
KK750HC	41mm	41mm	800mm
KK900HC	41mm	41mm	950mm

Other thickness available on request

STRUT BRACKET

Part No.	A	B	Thickness
KK075SB	160mm	45mm	105mm
KK100SB	160mm	45mm	150mm
KK150SB	160mm	45mm	200mm
KK225SB	160mm	45mm	275mm
KK300SB	160mm	45mm	350mm
KK450SB	160mm	45mm	500mm

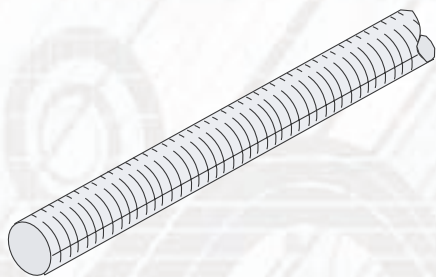
Other thickness available on request



WALL BRACKET

Part No.	A	B	Thickness
KK075WB	160mm	45mm	100mm
KK100WB	160mm	45mm	150mm
KK150WB	160mm	45mm	200mm
KK225WB	160mm	45mm	275mm
KK300WB	160mm	45mm	350mm
KK450WB	160mm	45mm	500mm
KK600WB	160mm	45mm	650mm
KK750WB	160mm	45mm	800mm
KK900WB	160mm	45mm	950mm

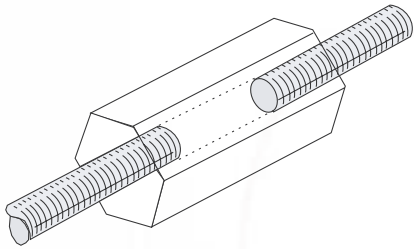
Other thickness available on request



THREADED/ROD

Part No.	SIZE
TRM6	M6
TRM8	M8
TRM10	M10
TRM12	M12
TRM14	M14

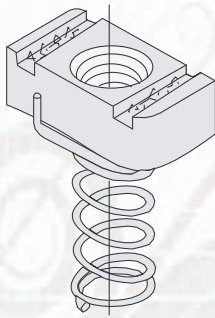
Other thickness available on request



THREADED/ROD

Part No.	SIZE
RCM6	M6
RCM8	M8
RCM10	M10
RCM12	M12
RCM14	M14

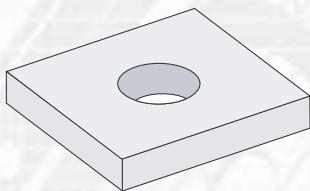
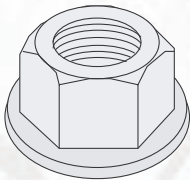
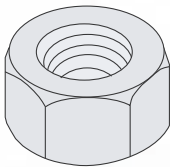
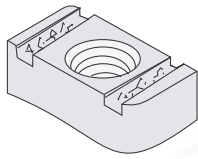
Other thickness available on request



SPRING NUT

Part No.	SIZE
SNM6	M6
SNM8	M8
SNM10	M10
SNM12	M12
SNM14	M14

Other thickness available on request



NUT WITHOUT SPING

Part No.	SIZE
NM6	M6
NM8	M8
NM10	M10
NM12	M12
NM14	M14

Other thickness available on request

ORDINARY NUT

Part No.	SIZE
ONM6	M6
ONM8	M8
ONM10	M10
ONM12	M12
ONM14	M14

Other thickness available on request

FLANGE NUT

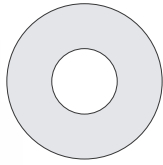
Part No.	SIZE
FNM6	M6
FNM8	M8
FNM10	M10
FNM12	M12
FNM14	M14

Other thickness available on request

SQUARE NUT

Part No.	SIZE
SNM6	M6
SNM8	M8
SNM10	M10
SNM12	M12
SNM14	M14

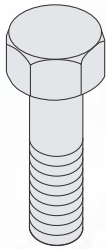
Other thickness available on request



WASHER

Part No.	SIZE
WM6	M6
WM8	M8
WM10	M10
WM12	M12
WM14	M14

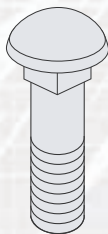
Other thickness available on request



HEX BOLT

Part No.	SIZE
HBM6	M6
HBM8	M8
HBM10	M10
HBM12	M12
HBM14	M14

Other thickness available on request

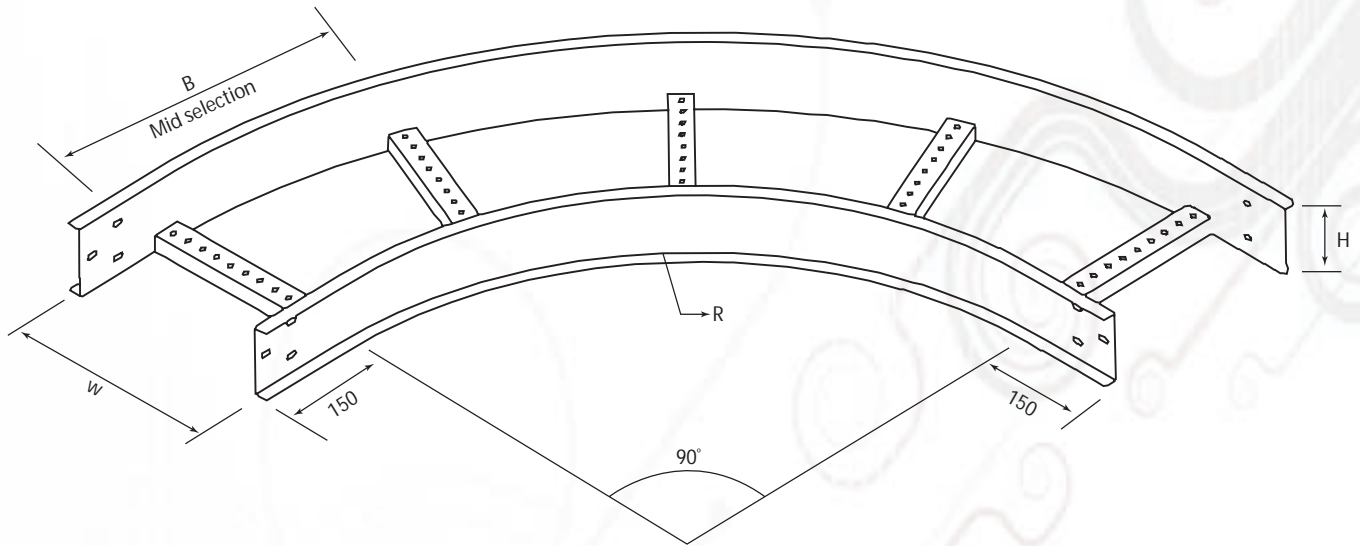


NECK BOLT

Part No.	SIZE
NBM6	M6
NBM8	M8
NBM10	M10
NBM12	M12
NBM14	M14

Other thickness available on request

90° Bends



Rung Spacing 300mm

Model	W	H	Thickness	Radius	Finish
KLA15050ELB90	150	50	As Straight Cable Ladder	300 to 700 (Standard Radius 450)	Hot Dip Galvanized - Epoxy or Polyester Coated - Stainless Steel & Aluminum Alloy
KLA20050ELB90	200	50			
KLA25050ELB90	250	50			
KLA30050ELB90	300	50			
KLA15075ELB90	150	75			
KLA20075ELB90	200	75			
KLA25075ELB90	250	75			
KLA30075ELB90	300	75			
KLA150100ELB90	150	100			
KLA200100ELB90	200	100			
KLA250100ELB90	250	100			
KLA300100ELB90	300	100			
KLA400100ELB90	400	100			
KLA450100ELB90	450	100			
KLA500100ELB90	500	100			
KLA600100ELB90	600	100			
KLA750100ELB90	750	100			
KLA900100ELB90	900	100			
KLA1000100ELB90	1000	100			
KLA200125ELB90	200	125			

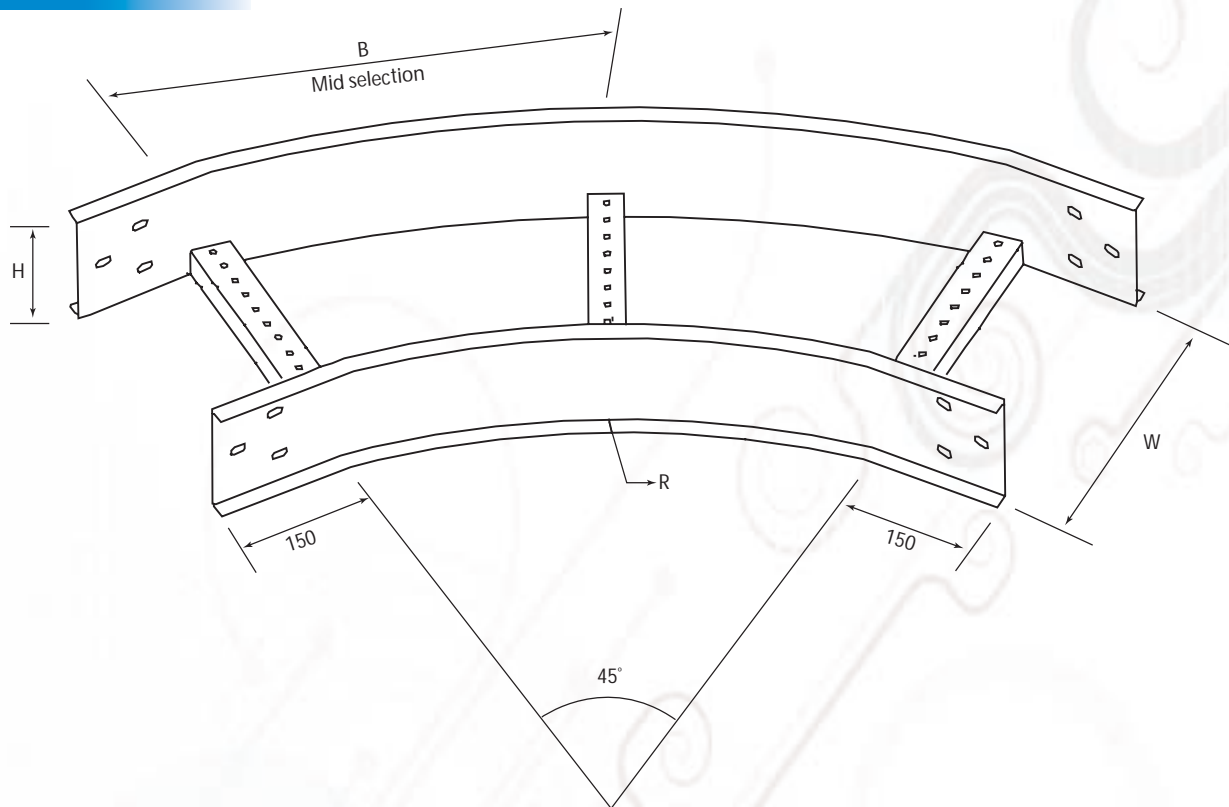
Model	W	H	Thickness	Radius	Finish
KLA250125EMB90	250	125	As Straight Cable Ladder	300 to 700 (Standard Radius 450)	Hot Dip Galvanized - Epoxy or Polyester Coated - Stainless Steel & Aluminum Alloy
KLA300125ELB90	300	125			
KLA400125ELB90	400	125			
KLA450125ELB90	450	125			
KLA500125ELB90	500	125			
KLA600125ELB90	600	125			
KLA750125ELB90	750	125			
KLA900125ELB90	900	125			
KLA1000125ELB90	1000	125			
KLA200150ELB90	200	150			
KLA250150ELB90	250	150			
KLA300150ELB90	300	150			
KLA400150ELB90	400	150			
KLA450150ELB90	450	150			
KLA500150ELB90	500	150			
KLA600150ELB90	600	150			
KLA750150ELB90	750	150			
KLA900150ELB90	900	150			
KLA1000150ELB90	1000	150			

Dimension in Millimeter

Abbreviation : B-Rung Spacing H-Height R- Radius W - Width
 Finish : HDG-Hot Dip Galvanized PG - Pre Galvanized AI - Aluminum Alloy
 SS-Stainless Steel EP - Epoxy Coated PC - Polyester Coated

When ordering please Indicate Material and Finish. We also supply other sizes with the same Rail, Rung profile and various connection slots

45° Bends



Rung Spacing 300mm

Model	W	H	Thickness	Radius	Finish
KLA15050ELB45	150	50	As Straight Cable Ladder	300 to 700 (Standard Radius 450)	Hot Dip Galvanized - Epoxy or Polyester Coated - Stainless Steel & Aluminum Alloy
KLA20050ELB45	200	50			
KLA25050ELB45	250	50			
KLA30050ELB45	300	50			
KLA15075ELB45	150	75			
KLA20075ELB45	200	75			
KLA25075ELB45	250	75			
KLA30075ELB45	300	75			
KLA150100ELB45	150	100			
KLA200100ELB45	200	100			
KLA250100ELB45	250	100			
KLA300100ELB45	300	100			
KLA400100ELB45	400	100			
KLA450100ELB45	450	100			
KLA500100ELB45	500	100			
KLA600100ELB45	600	100			
KLA750100ELB45	750	100			
KLA900100ELB45	900	100			
KLA1000100ELB45	1000	100			
KLA200125ELB45	200	125			

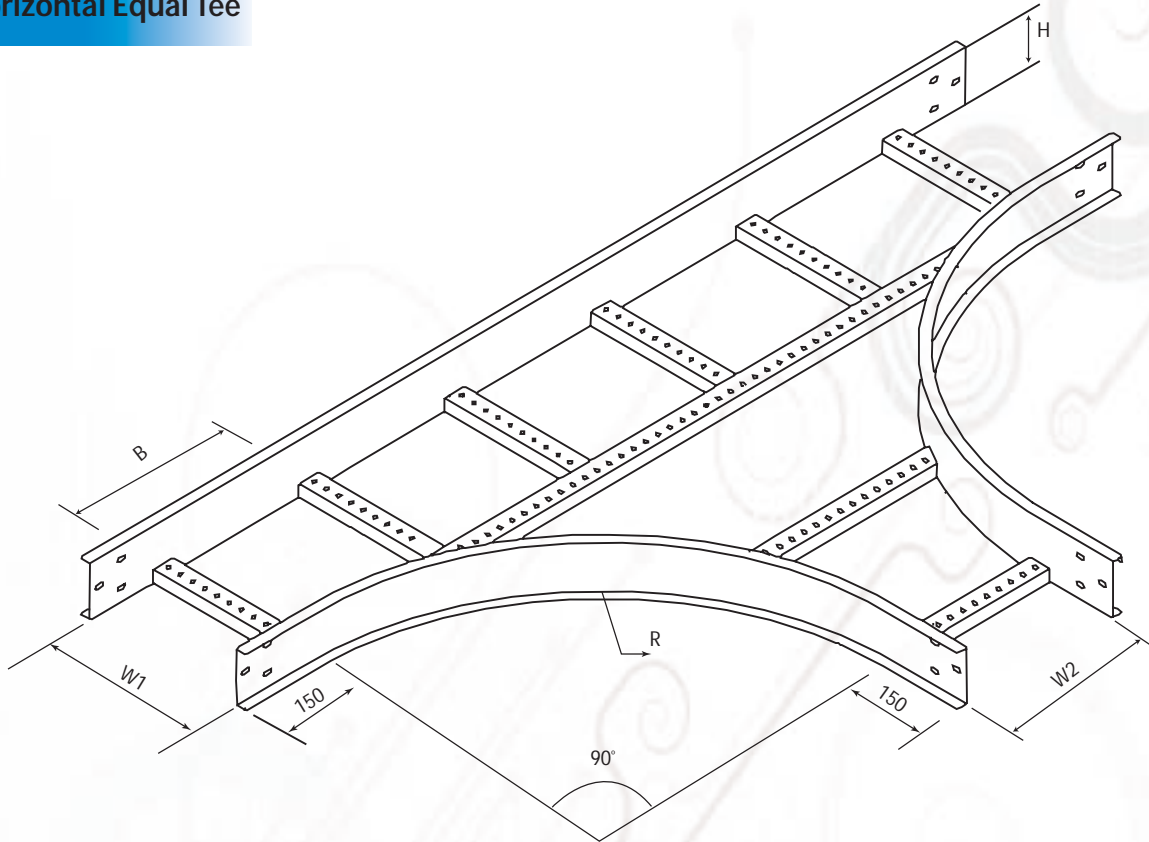
Model	W	H	Thickness	Radius	Finish
KLA250125EMB45	250	125	As Straight Cable Ladder	300 to 700 (Standard Radius 450)	Hot Dip Galvanized - Epoxy or Polyester Coated - Stainless Steel & Aluminum Alloy
KLA300125ELB45	300	125			
KLA400125ELB45	400	125			
KLA450125ELB45	450	125			
KLA500125ELB45	500	125			
KLA600125ELB45	600	125			
KLA750125ELB45	750	125			
KLA900125ELB45	900	125			
KLA1000125ELB45	1000	125			
KLA200150ELB45	200	150			
KLA250150ELB45	250	150			
KLA300150ELB45	300	150			
KLA400150ELB45	400	150			
KLA450150ELB45	450	150			
KLA500150ELB45	500	150			
KLA600150ELB45	600	150			
KLA750150ELB45	750	150			
KLA900150ELB45	900	150			
KLA1000150ELB45	1000	150			

Dimension in Millimeter

Abbreviation : B-Rung Spacing H-Height R- Radius W - Width
 Finish : HDG-Hot Dip Galvanized PG - Pre Galvanized Al - Aluminum Alloy
 SS-Stainless Steel EP - Epoxy Coated PC - Polyester Coated

When ordering please Indicate Material and Finish. We also supply other sizes with the same Rail, Rung profile and various connection slots

Horizontal Equal Tee



Rung Spacing 300mm

Model	W1	W2	H	Thickness	Radius	Finish
KLA1511550HET	150	150	50	As Straight Cable Ladder	300 to 700 (Standard Radius 450)	Hot Dip Galvanized - Epoxy or Polyester Coated - Stainless Steel & Aluminum Alloy
KLA2020150HET	200	200	50			
KLA252550HET	250	250	50			
KLA303050HET	300	300	50			
KLA151575HET	150	150	75			
KLA202075HET	200	200	75			
KLA252575HET	250	250	75			
KLA303075HET	300	300	75			
KLA1515100HET	150	150	100			
KLA2020100HET	200	200	100			
KLA2525100HET	250	250	100			
KLA3030100HET	300	300	100			
KLA4040100HET	400	400	100			
KLA4545100HET	450	450	100			
KLA5050100HET	500	500	100			
KLA6060100HET	600	600	100			
KLA7575100HET	750	750	100			
KLA9090100HET	900	900	100			
KLA100100100HET	1000	1000	100			
KLA2020125HET	200	200	125			

Model	W1	W2	H	Thickness	Radius	Finish
KLA2525125HET	250	250	125	As Straight Cable Ladder	300 to 700 (Standard Radius 450)	Hot Dip Galvanized - Epoxy or Polyester Coated - Stainless Steel & Aluminum Alloy
KLA3030125HET	300	300	125			
KLA4040125HET	400	400	125			
KLA4545125HET	450	450	125			
KLA5050125HET	500	500	125			
KLA6060125HET	600	600	125			
KLA7575125HET	750	750	125			
KLA9090125HET	900	900	125			
KLA100100125HET	1000	1000	125			
KLA2020150HET	200	200	150			
KLA2525150HET	250	250	150			
KLA3030150HET	300	300	150			
KLA4040150HET	400	400	150			
KLA4545150HET	450	450	150			
KLA5050150HET	500	500	150			
KLA6060150HET	600	600	150			
KLA7575150HET	750	750	150			
KLA8080150	800	800	150			
KLA9090150HET	900	900	150			
KLA100100150HET	1000	1000	150			

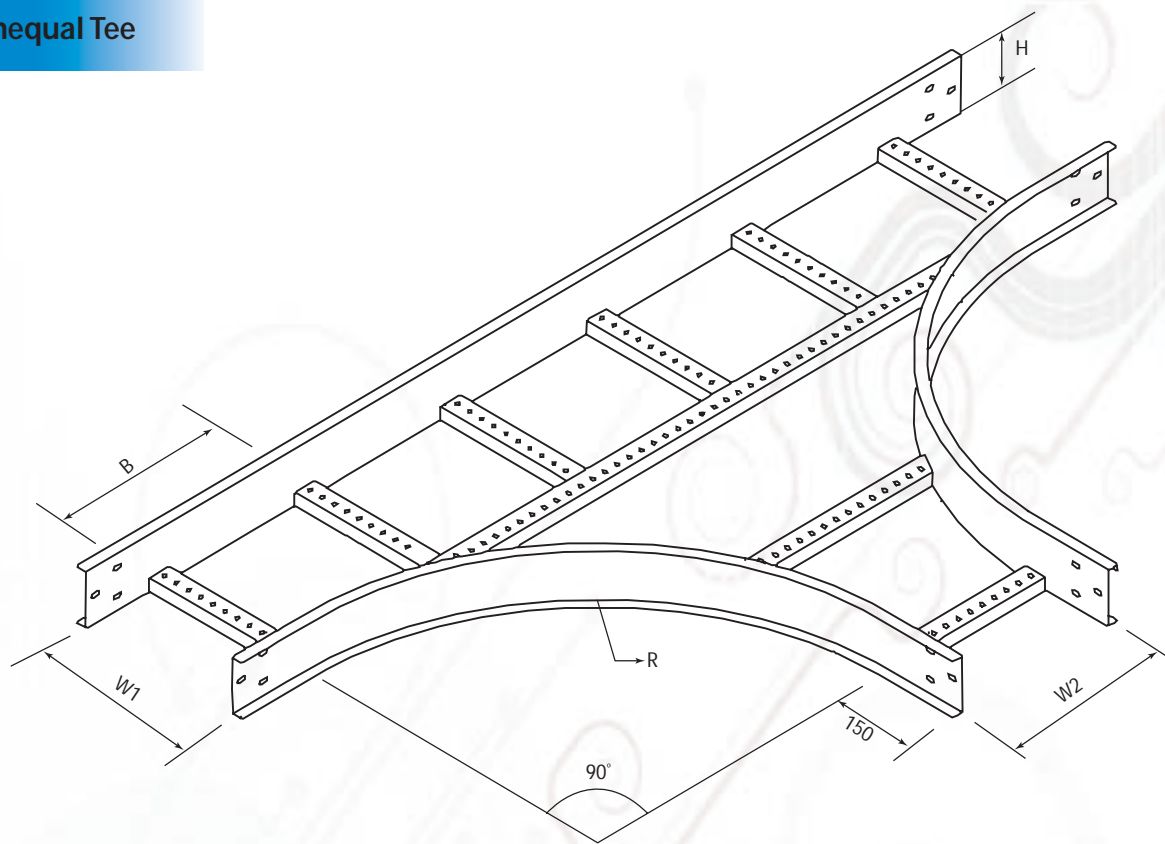
Dimension in Millimeter

Abbreviation : B-Rung Spacing H-Height R- Radius W - Width

Finish : HDG-Hot Dip Galvanized PG - Pre Galvanized Al - Aluminum Alloy
 SS-Stainless Steel EP - Epoxy Coated PC - Polyester Coated

When ordering please Indicate Material and Finish. We also supply other sizes with the same Rail, Rung profile and various connection slots

Unequal Tee



Rung Spacing 300mm

Model	W1	W2	H	Thickness	Radius	Finish
KLA150W250UT	150	200 to 1000	50	As Straight Cable Ladder	300 to 700 (Standard Radius 450)	Hot Dip Galvanized - Epoxy or Polyester Coated - Stainless Steel & Aluminum Alloy
KLA200W250UT	200		50			
KLA250W250UT	250		50			
KLA300W250UT	300		50			
KLA150W275UT	150		75			
KLA200W275UT	200		75			
KLA250W275UT	250		75			
KLA300W275UT	300		75			
KLA150W2100UT	150		100			
KLA200W2100UT	200		100			
KLA250W2100UT	250		100			
KLA300W2100UT	300		100			
KLA400W2100UT	400		100			
KLA450W2100UT	450		100			
KLA500W2100UT	500		100			
KLA600W2100UT	600		100			
KLA750W2100UT	750		100			
KLA900W2100UT	900		100			
KLA1000W2100UT	1000		100			
KLA200W2100UT	200		125			

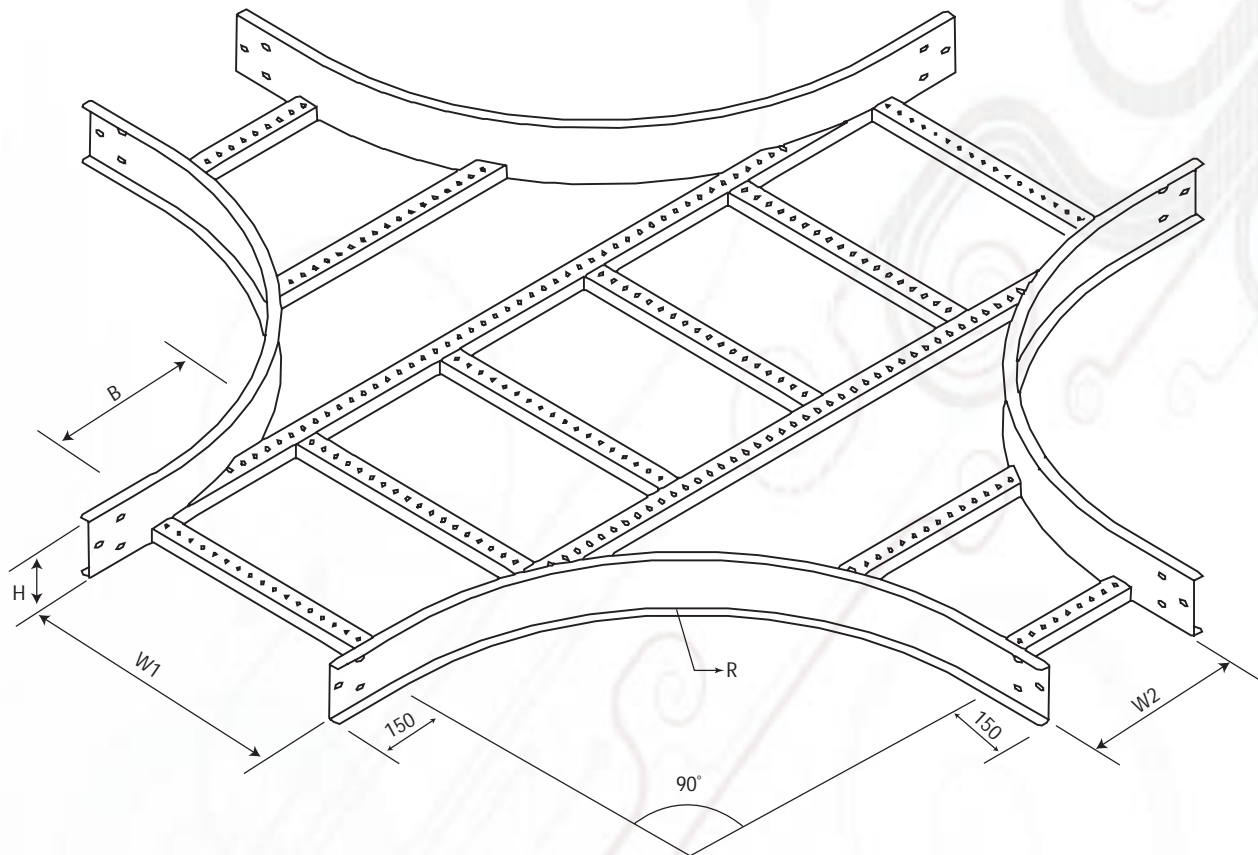
Model	W1	W2	H	Thickness	Radius	Finish
KLA250W2125UT	250	200 to 1000	125	As Straight Cable Ladder	300 to 700 (Standard Radius 450)	Hot Dip Galvanized - Epoxy or Polyester Coated - Stainless Steel & Aluminum Alloy
KLA300W2125UT	300		125			
KLA400W2125UT	400		125			
KLA450W2125UT	450		125			
KLA500W2125UT	500		125			
KLA600W2125UT	600		125			
KLA750W2125UT	750		125			
KLA900W2125UT	900		125			
KLA1000W2125UT	1000		125			
KLA200W2125UT	200		150			
KLA250W2125UT	250		150			
KLA300W2125UT	300		150			
KLA400W2125UT	400		150			
KLA450W2125UT	450		150			
KLA500W2125UT	500		150			
KLA600W2125UT	600		150			
KLA750W2125UT	750		150			
KLA800W2125UT	800		150			
KLA900W2125UT	900		150			
KLA1000W2125UT	1000		150			

Dimension in Millimeter

Abbreviation : B-Rung Spacing H-Height R- Radius W - Width
 Finish : HDG-Hot Dip Galvanized PG - Pre Galvanized Al - Aluminum Alloy
 SS-Stainless Steel EP - Epoxy Coated PC - Polyester Coated

When ordering please Indicate Material and Finish. We also supply other sizes with the same Rail, Rung profile and various connection slots

Unequal Cross



Rung Spacing 300mm

Model	W1	W2	H	Thickness	Radius	Finish
KLA151550UC	150	150	50			
KLA202050UC	200	200	50			
KLA252550UC	250	250	50			
KLA303050UC	300	300	50			
KLA151575UC	150	150	75			
KLA202075UC	200	200	75			
KLA252575UC	250	250	75			
KLA303075UC	300	300	75			
KLA1515100UC	150	150	100			
KLA2020100UC	200	200	100			
KLA2525100UC	250	250	100			
KLA3030100UC	300	300	100			
KLA4040100UC	400	400	100			
KLA4545100UC	450	450	100			
KLA5050100UC	500	500	100			
KLA6060100UC	600	600	100			
KLA7575100UC	750	750	100			
KLA90905100UC	900	900	100			
KLA1001005100UC	1000	1000	100			
KLA1515125UC	150	150	125			

As Straight Cable Ladder

300 to 700 (Standard Radius 450)

Hot Dip Galvanized - Epoxy or Polyester Coated
- Stainless Steel & Aluminum Alloy

Model	W1	W2	H	Thickness	Radius	Finish
KLA2525125UC	250	250	125			
KLA3030125UC	300	300	125			
KLA4040125UC	400	400	125			
KLA4545125UC	450	450	125			
KLA5050125UC	500	500	125			
KLA6060125UC	600	600	125			
KLA7575125UC	750	750	125			
KLA9090125UC	900	900	125			
KLA100100125UC	1000	1000	125			
KLA2020150UC	200	200	150			
KLA2525150UC	250	250	150			
KLA3030150UC	300	300	150			
KLA4040150UC	400	400	150			
KLA4545150UC	450	450	150			
KLA5050150UC	500	500	150			
KLA6060150UC	600	600	150			
KLA7575150UC	750	750	150			
KLA8080150UC	800	800	150			
KLA9090150UC	900	900	150			
KLA100100150UC	1000	1000	150			

As Straight Cable Ladder

300 to 700 (Standard Radius 450)

Hot Dip Galvanized - Epoxy or Polyester Coated
- Stainless Steel & Aluminum Alloy

Dimension in Millimeter

Abbreviation : B-Rung Spacing

H-Height

R- Radius

W - Width

Finish : HDG-Hot Dip Galvanized

PG - Pre Galvanized

Al - Aluminum Alloy

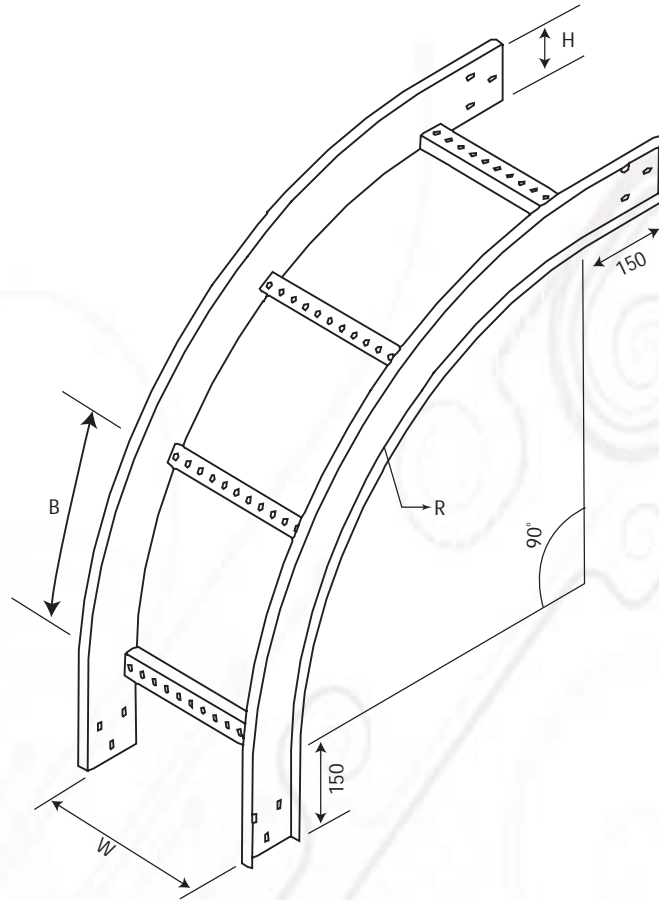
SS-Stainless Steel

EP - Epoxy Coated

PC - Polyester Coated

When ordering please Indicate Material and Finish. We also supply other sizes with the same Rail, Rung profile and various connection slots

External Riser



Rung Spacing 300mm

Model	W	H	Thickness	Radius	Finish
KLA15050ER	150	50	As Straight Cable Ladder	300 to 700 (Standard Radius 450)	Hot Dip Galvanized - Epoxy or Polyester Coated - Stainless Steel & Aluminum Alloy
KLA20050ER	200	50			
KLA25050ER	250	50			
KLA30050ER	300	50			
KLA15075ER	150	75			
KLA20075ER	200	75			
KLA25075ER	250	75			
KLA30075ER	300	75			
KLA150100ER	150	100			
KLA200100ER	200	100			
KLA250100ER	250	100			
KLA300100ER	300	100			
KLA400100ER	400	100			
KLA450100ER	450	100			
KLA500100ER	500	100			
KLA600100ER	600	100			
KLA750100ER	750	100			
KLA900100ER	900	100			
KLA1000100ER	1000	100			
KLA200125ER	200	125			

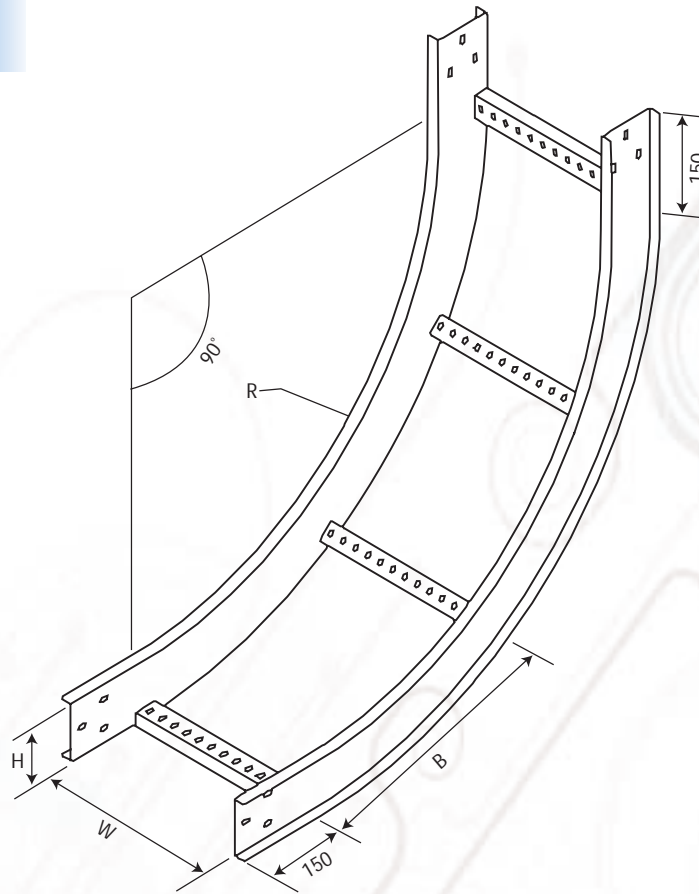
Model	W	H	Thickness	Radius	Finish
KLA250125ER	250	125	As Straight Cable Ladder	300 to 700 (Standard Radius 450)	Hot Dip Galvanized - Epoxy or Polyester Coated - Stainless Steel & Aluminum Alloy
KLA300125ER	300	125			
KLA400125ER	400	125			
KLA450125ER	450	125			
KLA500125ER	500	125			
KLA600125ER	600	125			
KLA750125ER	750	125			
KLA900125ER	900	125			
KLA1000125ER	1000	125			
KLA200150ER	200	150			
KLA250150ER	250	150			
KLA300150ER	300	150			
KLA400150ER	400	150			
KLA450150ER	450	150			
KLA500150ER	500	150			
KLA600150ER	600	150			
KLA750150ER	750	150			
KLA900150ER	900	150			
KLA1000150ER	1000	150			

Dimension in Millimeter

Abbreviation : B-Rung Spacing H-Height R- Radius W- Width
 Finish : HDG-Hot Dip Galvanized PG - Pre Galvanized Al - Aluminum Alloy
 SS-Stainless Steel EP - Epoxy Coated PC - Polyester Coated

When ordering please Indicate Material and Finish. We also supply other sizes with the same Rail, Rung profile and various connection slots

Internal Riser



Rung Spacing 300mm

Model	W	H	Thickness	Radius	Finish
KLA15050IR	150	50	As Straight Cable Ladder	300 to 700 (Standard Radius 450)	Hot Dip Galvanized - Epoxy or Polyester Coated - Stainless Steel & Aluminum Alloy
KLA20050IR	200	50			
KLA25050IR	250	50			
KLA30050IR	300	50			
KLA15075IR	150	75			
KLA20075IR	200	75			
KLA25075IR	250	75			
KLA30075IR	300	75			
KLA150100IR	150	100			
KLA200100IR	200	100			
KLA250100IR	250	100			
KLA300100IR	300	100			
KLA400100IR	400	100			
KLA450100IR	450	100			
KLA500100IR	500	100			
KLA600100IR	600	100			
KLA750100IR	750	100			
KLA900100IR	900	100			
KLA1000100IR	1000	100			
KLA200125IR	200	125			

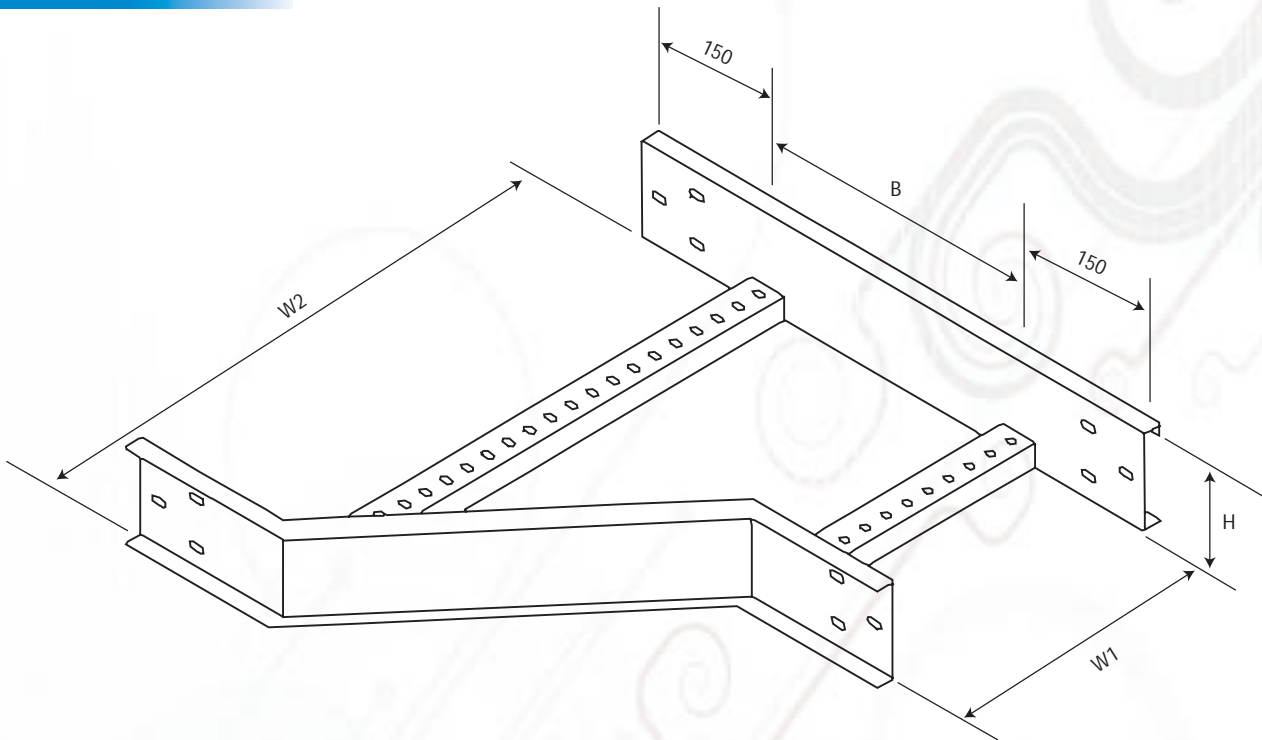
Model	W	H	Thickness	Radius	Finish
KLA250125IR	250	125	As Straight Cable Ladder	300 to 700 (Standard Radius 450)	Hot Dip Galvanized - Epoxy or Polyester Coated - Stainless Steel & Aluminum Alloy
KLA300125IR	300	125			
KLA400125IR	400	125			
KLA450125IR	450	125			
KLA500125IR	500	125			
KLA600125IR	600	125			
KLA750125IR	750	125			
KLA900125IR	900	125			
KLA1000125IR	1000	125			
KLA200150IR	200	150			
KLA250150IR	250	150			
KLA300150IR	300	150			
KLA400150IR	400	150			
KLA450150IR	450	150			
KLA500150IR	500	150			
KLA600150IR	600	150			
KLA750150IR	750	150			
KLA900150IR	900	150			
KLA1000150IR	1000	150			

Dimension in Millimeter

Abbreviation : B-Rung Spacing H-Height R- Radius W - Width
 Finish : HDG-Hot Dip Galvanized PG - Pre Galvanized Al - Aluminum Alloy
 SS-Stainless Steel EP - Epoxy Coated PC - Polyester Coated

When ordering please Indicate Material and Finish. We also supply other sizes with the same Rail, Rung profile and various connection slots

Left Offset Reducer



Rung Spacing 300mm

Model	W1	W2	H	Thickness	Radius	Finish
KLA150W250LOR	150	200 to 1000	50	As Straight Cable Ladder	300 to 700 (Standard Radius 450)	Hot Dip Galvanized - Epoxy or Polyester Coated - Stainless Steel & Aluminum Alloy
KLA200W250LOR	200		50			
KLA250W250LOR	250		50			
KLA300W250LOR	300		50			
KLA150W275LOR	150		75			
KLA200W275LOR	200		75			
KLA250W275LOR	250		75			
KLA300W275LOR	300		75			
KLA150W2100LOR	150		100			
KLA200W2100LOR	200		100			
KLA250W2100LOR	250		100			
KLA300W2100LOR	300		100			
KLA400W2100LOR	400		100			
KLA450W2100LOR	450		100			
KLA500W2100LOR	500		100			
KLA600W2100LOR	600		100			
KLA750W2100LOR	750		100			
KLA900W2100LOR	900		100			
KLA1000W2100LOR	1000	100				
KLA200W2100LOR	200	125				

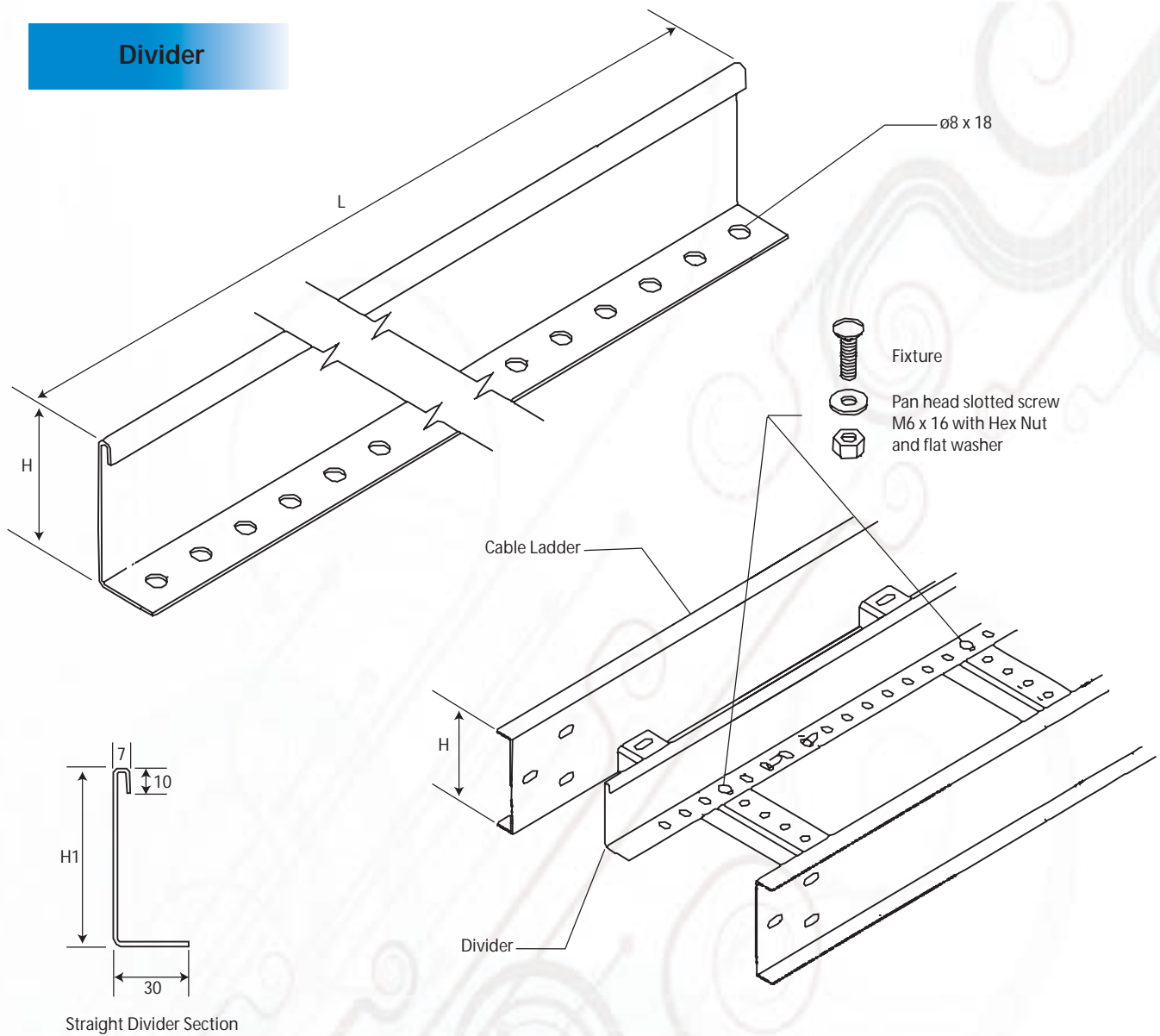
Model	W1	W2	H	Thickness	Radius	Finish
KLA250W2125LOR	250	200 to 1000	125	As Straight Cable Ladder	300 to 700 (Standard Radius 450)	Hot Dip Galvanized - Epoxy or Polyester Coated - Stainless Steel & Aluminum Alloy
KLA300W2125LOR	300		125			
KLA400W2125LOR	400		125			
KLA450W2125LOR	450		125			
KLA500W2125LOR	500		125			
KLA600W2125LOR	600		125			
KLA750W2125LOR	750		125			
KLA900W2125LOR	900		125			
KLA1000W2125LOR	1000		125			
KLA200W2125LOR	200		150			
KLA250W2125LOR	250		150			
KLA300W2125LOR	300		150			
KLA400W2125LOR	400		150			
KLA450W2125LOR	450		150			
KLA500W2125LOR	500		150			
KLA600W2125LOR	600		150			
KLA750W2125LOR	750		150			
KLA800W2125LOR	800		150			
KLA900W2125LOR	900	150				
KLA1000W2125LOR	1000	150				

Dimension in Millimeter

Abbreviation : B-Rung Spacing H-Height R- Radius W - Width
 Finish : HDG-Hot Dip Galvanized PG - Pre Galvanized AI - Aluminum Alloy
 SS-Stainless Steel EP - Epoxy Coated PC - Polyester Coated

When ordering please Indicate Material and Finish. We also supply other sizes with the same Rail, Rung profile and various connection slots

Divider



Straight Divider Section

Model	H	H1	Thickness	L	Finish
KLA50D	50	20	1.5	1500 or 3000	Hot dip Galvanized - Epoxy or Polyester Coated - Stainless Steel & Aluminum Alloy
KLA75D	75	45	1.5		
KLA100D	100	70	2.0		
KLA125D	125	95	2.0		
KLA150D	150	120	2.0		

Dimension in Millimeter

Abbreviation : H-Height

Finish : HDG-Hot Dip Galvanized
SS-Stainless Steel

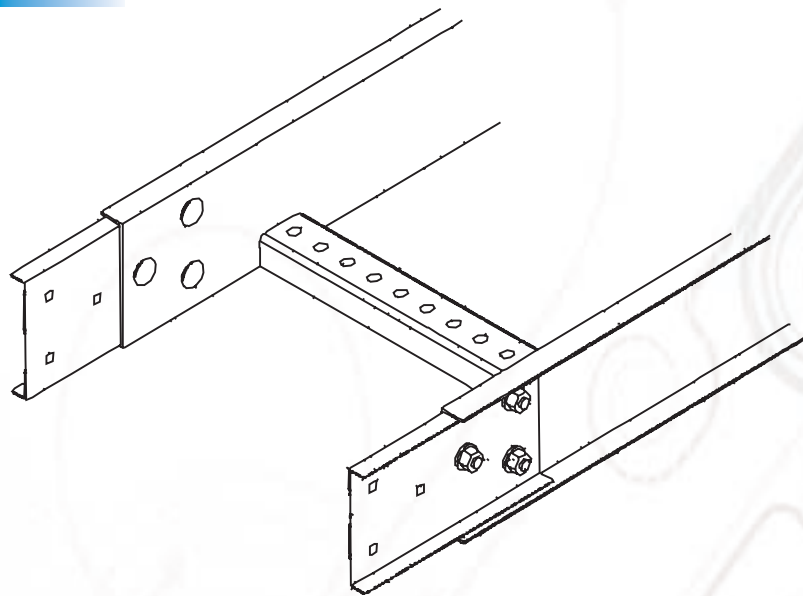
L - Length

PG - Pre Galvanized
EP - Epoxy Coated

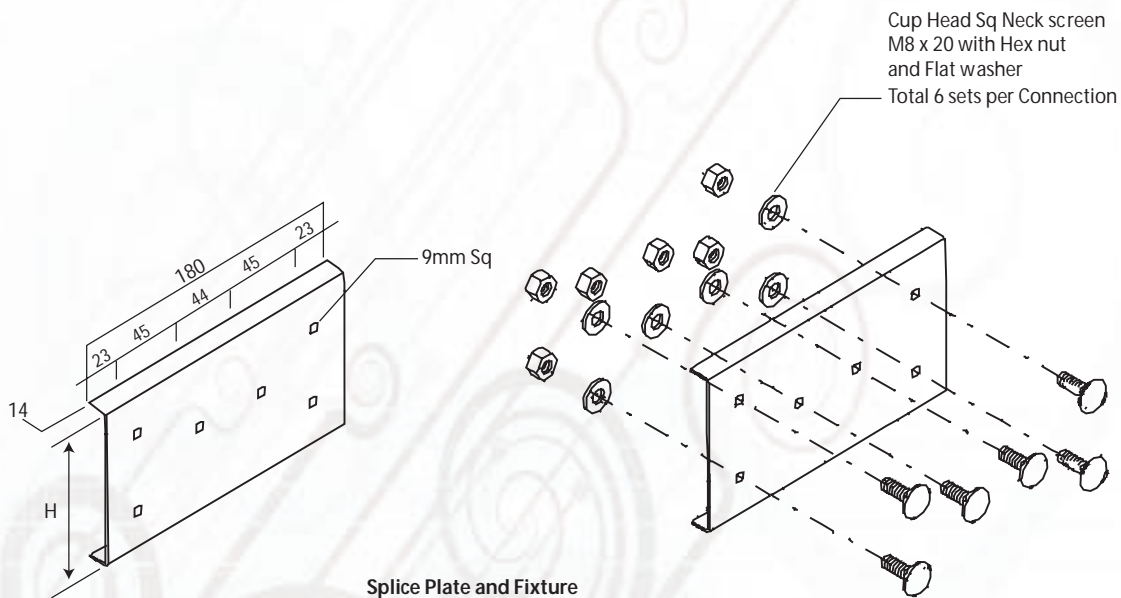
Al - Aluminum Alloy
PC - Polyester Coated

When ordering please Indicate Material and Finish. We also supply other sizes with the same Rail, Rung profile and various connection slots

Straight Coupler



Application



Splice Plate and Fixture

Model	H	Description	Finish
KLA50SC	50	Horizontal Splice Plate with Fixture for 100mm - 125mm - 150mm Height Cable Ladder	Hot dip Galvanized - Epoxy or Polyester Coated - Stainless Steel & Aluminum Alloy
KLA75SC	75		
KLA100SC	100		
KLA125SC	125		
KLA150SC	150		

Dimension in Millimeter

Abbreviation : H-Height

Finish : HDG-Hot Dip Galvanized

SS-Stainless Steel

PG - Pre Galvanized

EP - Epoxy Coated

Al - Aluminum Alloy

PC - Polyester Coated

When ordering please Indicate Material and Finish. We also supply other sizes with the same Rail, Rung profile and various connection slots



KOKA

Cable Support Systems

Abdali Tel:+86 21 60488958 Fax: +86 21 36369918
E-mail : sales@ chhinakoka .com Web : www.chhinakoka.com